

Model A-205 Flush Diaphragm Pressure Transducer



- Unitized flush diaphragm
- 100 psig to 10000 psig
- Stainless steel
- CE approved

How to order: (Quick-ship range/option combinations available. See Web site.)
Combine the order code, range code, and options code. For example:

BP312 **BJ** **1b**
Order code Range code Options code

Order codes

BP312 Model A-205 flush diaphragm pressure transducer

Range codes

Range codes	Available ranges
BR	100 psi
CJ	150 psi
CL	200 psi
CP	300 psi
CR	500 psi
CT	750 psi
CV	1000 psi
DJ	1500 psi
DL	2000 psi
DN	3000 psi
DR	5000 psi
DT	7500 psi
DV	10000 psi

Notes

1. Not available with option 1e, 1f, 1g, 1h or 1i.
2. Accuracies stated are expected for best-fit straight line for all errors, including linearity, hysteresis & non-repeatability thru zero.
3. For ranges less than 100 psi, consult factory for specifications.
4. Not available for all ranges.

Specifications

Performance

Pressure ranges ³	100, 150, 200, 300, 500, 750, 1000, 1500, 2000, 3000, 5000, 7500, 10000 psig/a
Accuracy ²	0.5 % full scale
Non-linearity and hysteresis	±0.5 % full scale ³
Non-repeatability	±0.1 % full scale ³
Output	2 mV/V
Resolution	Infinite

Environmental

Temperature, operating	-54 °C to 149 °C [-65 °F to 300 °F]
Temperature, compensated	16 °C to 71 °C [60 °F to 160 °F]
Temperature effect, zero	0.01 % full scale/°F ³
Temperature effect, span	0.02 % reading/°F ³

Electrical

Strained gage type	Bonded foil
Excitation (calibration)	5 Vdc
Excitation (acceptable)	Up to 5 Vdc or (Vac)
Insulation resistance	5000 mOhm @ 50 Vdc
Bridge resistance	350 ohm
Shunt calibration data	Included
Electrical termination (std)	PTIH-10-6P or equivalent (hermetic stainless)
Mating connector (not incl.)	PT06A-10-6S or equiv. (AA111)

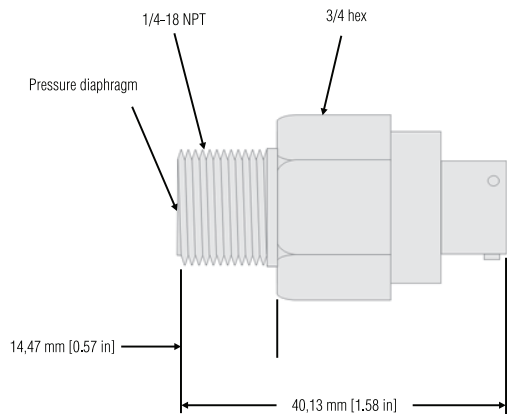
Mechanical

Media	Gases, liquids compatible with wetted parts
Overload, safe	50 % over capacity
Proof pressure	400 % full scale (max. 20000 psi)
Dead volume	Flush diaphragm (consult factory for charged volume)
Wetted parts material	17-4 PH stainless steel
Weight	2 oz
Case material	Stainless steel

Option codes

	Many range/option combinations are available in our quick-ship and fast-track manufacture programs. Please see http://sensing.honeywell.com/TMsensor-ship for updated listings.	
Pressure ranges	100, 150, 200, 300, 500, 750, 1000, 1500, 2000, 3000, 5000, 7500, 10000 psi	
Temperature compensation	1a. 60 °F to 160 °F 1b. 30 °F to 130 °F 1c. 0 °F to 185 °F 1d. -20 °F to 130 °F 1e. -20 °F to 200 °F	1f. 70 °F to 250 °F 1i. -65 °F to 250 °F 1g. 70 °F to 325 °F 1h. 70 °F to 400 °F
Internal amplifiers	2u. Unamp., mV/V output	
Pressure ports	5b. 1/4-18 NPT male	
Electrical termination	6a. Bendix PTIH-10-6P (or equivalent) 6 pin (max 400 °F) 6e. Integral cable: Teflon (-65 °F to 475 °F)	6h. Integral cable: Silicone (-65 °F to 300 °F) 6i. Integral underwater cable: (max 180 °F) ¹ 6v. Phoenix connector on end of cable
Special calibration⁴	9a. 10 point (5 up/5 down) 20 % increments @ 70 °F ⁴ 9b. 20 point (10 up/10 down) 10 % increments @ 70 °F ⁴	
Wetted diaphragm	10e. Iconel X-750	
Shock and vibration	44a. Shock and vibration resistance	

Mounting dimensions and characteristics

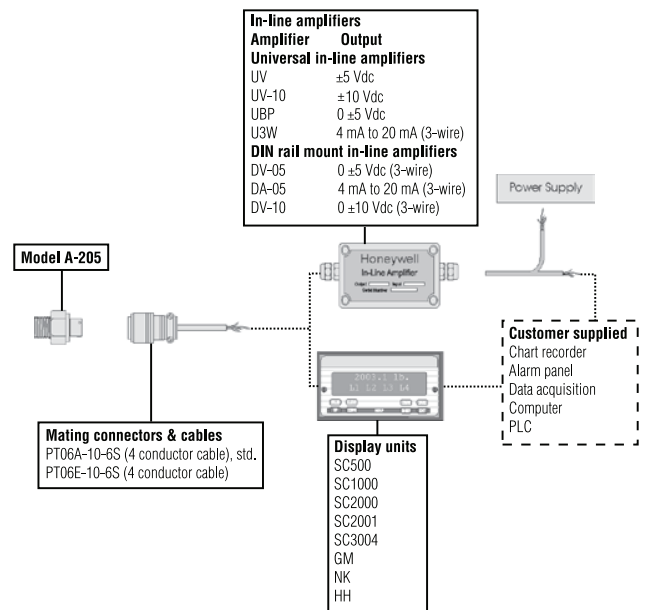


For reference only

Wiring codes

Connector	Connector, unamplified
A	(+) excitation
B	(+) excitation
C	(-) excitation
D	(-) excitation
E	(-) output
F	(+) output

Typical system diagram



Special requirements (consult factory)

Have a special requirement? New diameter cable, different cable lengths, radiation proof, psi, output options, temperature settings, TEDS IEEE 1451.4 modules, or materials? Consult our factory by calling +1 614-850-5000 (800-848-6564). Customization is key to our test and measurement business. Special outputs, wiring codes, and calibrations are all standard to us.

Specifications subject to change.

Questions? Contact us at either 1-800-848-6564, +1 614-850-5000, or our Web site for customized options: (<http://sensing.honeywell.com/TMsensor-help>).